

# NEO<sup>®</sup> 240 Undercounter Ice Machines

NEO<sup>®</sup> 240 Undercounter Ice Machines

## Models

- |                                    |                                    |
|------------------------------------|------------------------------------|
| <input type="checkbox"/> UDF-0240A | <input type="checkbox"/> UYF-0240A |
| <input type="checkbox"/> UDF-0240W | <input type="checkbox"/> UYF-0240W |



U-240

- Up to 220 lbs (100 kg) of daily ice production
  - Only 26" (66.04 cm) wide, 28.50" (72.4 cm) deep, and 38.50" (97.8 cm) high on 6" (15.24 cm) legs
  - Cabinet volume 3.037 ft<sup>3</sup> (0.086 m<sup>3</sup>)
  - 90 lb. (40.0 Kg) ice storage capacity\*
- \* Application capacity based on: 90% volume x 33lbs/ft<sup>3</sup> average density of ice.

NEO undercounter ice machines are designed to provide ice right where you need it – within reach. Improvements in **Performance**, **Intelligence** and **Convenience** make your ice machine easy to own and less expensive to operate.

**Performance** – NEO produces more ice than ever before while using less water and energy. The storage bin provides industry leading capacity.

**Intelligence** – NEO provides feedback with full bin and service indicators. Delay function allows you to pause your machine for slow periods or days when you're closed.

**Convenience** – NEO offers a forward-sliding storage bin for easy access to refrigeration components without having to move the entire ice machine. Smooth, sealed food-zone with removable water trough, distribution tube, and damper door for faster cleaning. AlphaSan added to key internal components.

Available **LuminIce<sup>®</sup> Growth Inhibitor** extends cleaning intervals by reducing yeast and bacteria growth keeping your ice machine cleaner, longer.



## Specifications

**BTU Per Hour:**  
2,700 (average)  
3,300 (peak)

**Compressor:**  
Nominal rating: .33 HP

**Cupra-Nickel Condenser:**  
(Water-cooled models)  
Adds protection from corrosive water elements.

**Operating Limits:**  
• Ambient Temperature Range:  
40° to 110°F (4.4° to 43.3°C)

• Water Temperature Range:  
45° to 90°F (4.4° to 32.2°C)

• Water Pressure Ice Maker Water In:  
Min. 20 psi (137.9 kPa)  
Max. 80 psi (551.1 kPa)

• Condenser Inlet Water In:  
(Water-cooled only)  
Min. 20 psi (137.9 kPa)  
Max. 150 psi (1,034.2 kPa)

## Ice Machine Electric

**Power Cord:**  
115/60/1 ice machines are factory pre-wired with a 6' (180 cm) power cord and NEMA 5-15P-plug configuration. 208-230/60/1 ice machines are factory pre-wired with a 6' (180 cm) power cord only, no plug is supplied.

**Total Amps:**  
115/60/1 Air-cooled and Water-cooled: 7 amps  
208-230/1/60 Air-cooled and Water-cooled: 3.5 amps

**Maximum fuse size:**  
Air-cooled and Water-cooled: 15 amps  
HACR-type circuit breakers can be used in place of fuses.

## Ice Shape



**Half Dice**  
3/8" x 1 1/8" x 7/8"  
(.95 x 2.86 x 2.22 cm)



**Dice**  
7/8" x 7/8" x 7/8"  
(2.22 x 2.22 x 2.22 cm)



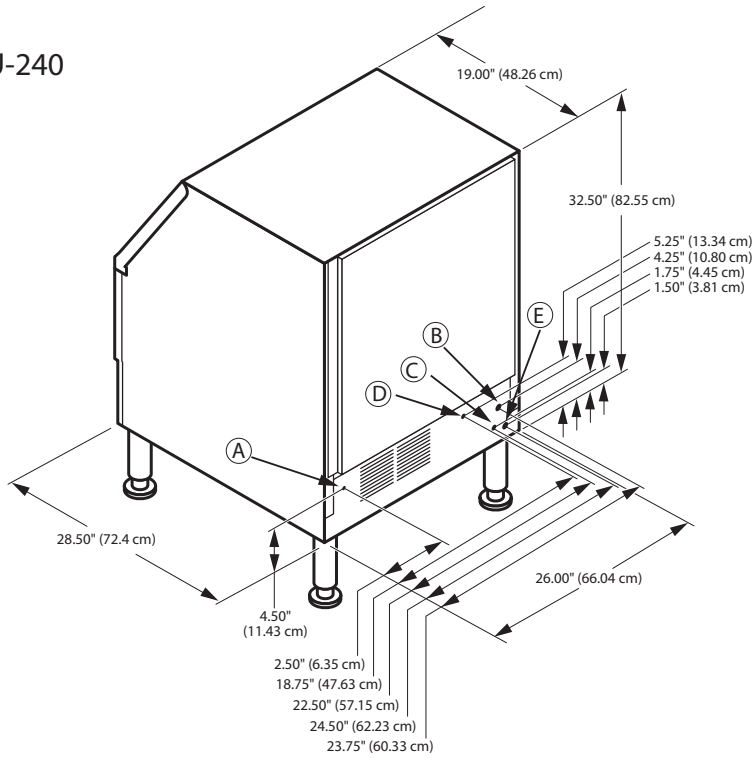
**Regular**  
1 1/8" x 1 1/8" x 7/8"  
(2.86 x 2.86 x 2.22 cm)



COMPANY WITH  
QUALITY SYSTEM  
CERTIFIED BY DNV  
= ISO 9001:2008 =



U-240



**Installation Note** Recommended clearance for top, sides, and back is 5" (12.7 cm) however, there is no minimum clearance required.

- (A) Electrical Entrance
- (B) 3/8" (0.95 cm) F.P.T. Ice Making Water Inlet
- (C) 1/2" (1.27 cm) F.P.T. Minimum Water Condenser Outlet (water-cooled units)
- (D) 3/8" (0.95 cm) F.P.T. Water Condenser Inlet (water-cooled units)
- (E) 1/2" (1.27 cm) F.P.T. Ice Bin Drain

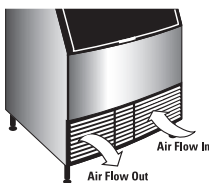
### Specifications

| Model     | Ice Shape | Ice Production 24 Hours                |       |  |       | Power kWh/<br>100 lbs.<br>@ 90°/70°F<br>32°/21°C | Potable water usage<br>gal/100 lbs. ice<br>@90/70°F |
|-----------|-----------|--|-------|--|-------|--|---|
|           |           | 70°Air/50°F Water<br>21°Air/10°C Water |       | 90°Air/70°F Water<br>32°Air/21°C Water |       |  |   |
| UDF-0240A | dice      | 215 lbs                                | 98 kg | 160 lbs                                | 73 kg | 7.9  | 16  |
| UDF-0240W | dice      | 197 lbs                                | 89 kg | 174 lbs                                | 79 kg | 5.9  | 16  |
| UYF-0240A | half-dice | 219 lbs                                | 99 kg | 160 lbs                                | 73 kg | 7.8  | 16  |
| UYF-0240W | half-dice | 207 lbs                                | 94 kg | 180 lbs                                | 82 kg | 5.8  | 16  |

Water-cooled Condenser Water Usage / 100 lbs./45.4 kg of Ice: 147 gal. / 556 liters

Standard 6" / 15.24 cm adjustable flange foot - gray painted legs included.  
Standard plastic NEO ice scoop included.

#### Air Flow



Air in right, air out left, no side vents. Great for installation under countertops and next to other equipment.

#### Removable Bin



#### Air Filter



Simple, tool-free removal for quick access during routine cleaning and maintenance.

Welbilt reserves the right to make changes to the design or specifications without prior notice. ©2018 Manитowoc