



# BG-0260 Large Gourmet Ice Machine

Model

BG-0260



Model BG-0260  
Large Gourmet Ice Machine

## Standard Features

- Up to 306 lbs (139 kg) of daily large gourmet ice production.
- 143 lbs. (65 kg) ice storage capacity.
- Over 2,000 60g cubes produced per day.
- Heavy duty stainless steel cabinet resists corrosion.
- Large gourmet cubes are ideal for drinks on the rocks and situations where less ice is preferred

## Warranty

- 3 years parts and labor.

## Standard Equipment

Ice Scoop, 6" Bin Legs, Alternate Low Profile Legs Standard Legs Adjustable from 4-1/2" to 6" Low Profile Non-Adjustable 1/4"

## Ice Machine Electric

- 115/60/1  
115/60/1 ice machines are factory pre-wired with a 6' (180 cm) power cord and NEMA 20A plug configuration.

### Total ampacity:

Air-cooled: 13.2 amps

### Maximum fuse size:

Air-cooled: 20 amps

HACR-type circuit breakers can be used in place of fuses

## Specifications

### Condenser Heat of Rejection (BTU per hour):

4500 (average)

### Compressor:

Nominal rating: 1 HP

### Refrigerant:

R-404A

### Operating Limits:

- Ambient Temperature Range: 50°-100°F (10°-38°C)\*
- Water Temperature Range: 50°-90°F (10°-32°C)\*
- Water Pressure Ice Maker Water In: Min. 14 psi (96.5 kPa) Max. 84 psi (579.2 kPa)

## Ice Shape

The crystal clear, large gourmet "Big Shot" cube weighs 60g and is 2" tall x 1-1/2" wide x 1-3/4" thick making it ideal for a drink on the rocks with a single cube.



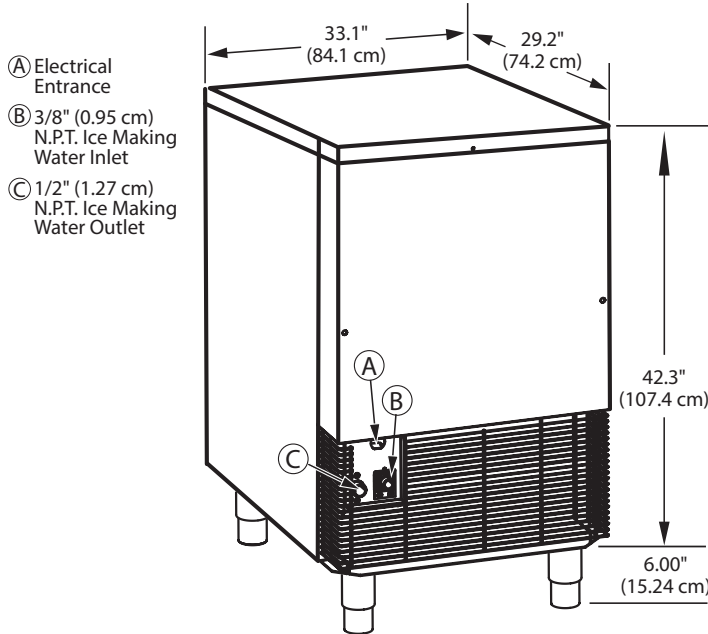
\* Please note different operating temperature ranges. Ice machine will not operate above or below stated temperatures.





# BG-0260 Large Gourmet Ice Machine

## BG-0260



**Installation Note**  
 Minimum installation clearance:  
 Sides: 2" (5.1 cm), back: 8" (20.3 cm), top: 2" (5.1 cm)

## Ice Making and Bin in One

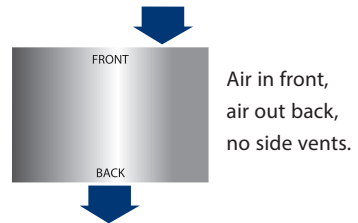


### BG-0260

Height	48.3" 122.7 cm
Width	33.1" 84.1 cm
Depth	29.2" 74.2 cm
Bin Storage	143 lbs. 65 kgs

Height includes adjustable bin legs 4.50" to 6.00", 11.43 cm to 15.24 cm set at 6.00" (15.24 cm).

### Air Flow Overhead View



Air-cooled Ice Machine	Model	Ice Shape	Ice Production 24 Hours		Power kWh/100 lbs @ 90°Air/70°F	Potable Water Usage (100 lbs./45.4 kgs of Ice)	Bin Storage Capacity
			70°Air/50°F Water	90°Air/70°F Water			
BG-0260	Large Gourmet		306 lbs.	251 lbs.	9.70	22 gal.	143 lbs.
			139 kgs	114 kgs		83.3 L	65 kgs