



EVERPURE® HIGH FLOW CSR QUAD 7FC SYSTEM

DELIVERS PREMIUM QUALITY WATER FOR HIGH FLOW COMBINATION APPLICATIONS

High Flow CSR Quad 7FC System: EV9329-74
7FC Replacement Cartridge: EV9692-61 (1 PK)
EC210 Replacement Cartridge: EV9534-26 (6 PK)
SS-XL ScaleStick Cartridge: EV9799-42 (6 PK)



APPLICATIONS

Multiple equipment and combination applications

High volume installations

FEATURES • BENEFITS

Extended-life 7FC cartridges feature balanced chemical and mechanical reduction for optimum performance in varying water qualities

Single system solution

Exclusive precoat filtration provides superior chlorine taste and odor reduction and micro-filters dirt and particles as small as 0.5 micron in size by mechanical means

NSF/ANSI Standard 53 certified to reduce cysts such as *Cryptosporidium* and *Giardia* by mechanical means

Optimal flow rate and contaminant reduction capacity with prefiltration for maximum performance

Provides premium quality water to high flow fountain, coffee and ice machines

Reduces chlorine taste and odor and other offensive contaminants that can adversely affect the taste of beverages

Increases the overall efficiency of foodservice equipment

SR-X feeder with SS-XL ScaleStick® cartridge inhibits scale buildup in ice machines and coffee brewers

Sanitary cartridge replacement is simple, quick and clean. Internal filter parts are never exposed to handling or contamination

INSTALLATION TIPS

Choose a mounting location suitable to support the full weight of the system when operating

Use 3/4" water line

Fountain equipment connections are made to the outlet part of the system before the SR-X system

Coffee brewer and ice machine connections are made after the SR-X feeder; a tee is required

Install vertically with cartridges hanging down and allow 2-1/2" (6.35 cm) clearance below the cartridge for easy cartridge replacement

Flush cartridges by running water through system for five (5) minutes at full flow

OPERATION TIPS

Replace cartridge when flow rate becomes inconveniently slow or before rated capacity is reached. It is recommended to replace cartridge at least once per year

Change cartridges when capacity is reached or when pressure falls below 10 psi (0.7 bar)

Change SS-XL cartridge before Hydroblend™ compound is completely used up

Change EC210 prefilter cartridge when excessively dirty

Always flush the filter cartridge at time of installation and cartridge change

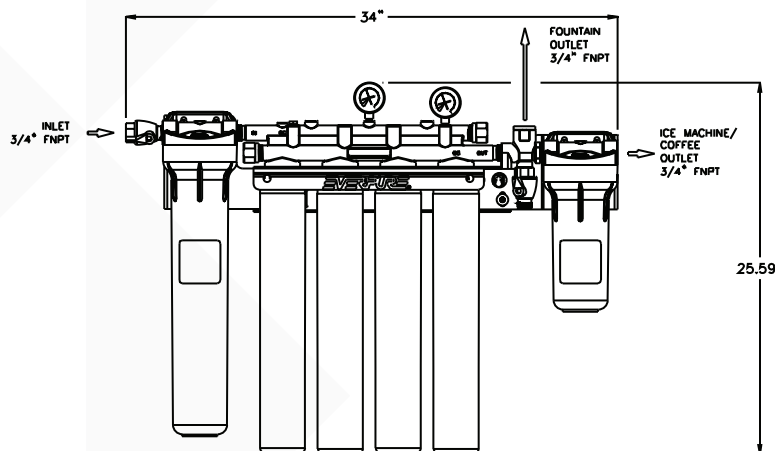
SIZING

Service Flow Rate: Maximum 10.0 gpm (37.8 Lpm)

Rated Capacity: 100,000 gallons (378,541 L)

EVERPURE® HIGH FLOW CSR QUAD 7FC SYSTEM

EV9329-74



System Tested and Certified by NSF International against NSF/ANSI Standard 42 and 53 for the reduction of:

Standard No. 42 —

Aesthetic Effects

- Bacteriostatic Effects
- Chemical Reduction
- Taste and Odor
- Chlorine
- Mechanical Filtration
- Particulate Class 1

Standard No. 53 —

Health Effects

- Mechanical Filtration
- Turbidity
- Cyst

SPECIFICATIONS

Overall Dimensions

25.59" H x 34" W x 6.75" D
(65 x 86.36 x 17.14 cm)

Inlet Connection 3/4"

Outlet Connection 3/4"

Service Flow Rate

Maximum 10.0 gpm (37.8 Lpm)

Rated Capacity

100,000 gallons (378,541 L)

Pressure Requirements

10 - 125 psi (0.7 - 8.6 bar), non-shock

Maximum Temperature

35 - 100°F (2 - 38°C)

Electrical Connection

None

Shipping Weight

48 lbs. (21.77 kg)

Operating Weight

60 lbs. (27.22 kg)

EPA No. 002623-IL-002

The contaminants or other substances removed or reduced by this drinking water system are not necessarily in your water. Do not use with water that is microbiologically unsafe or of unknown quality without adequate disinfection before or after the system. Systems certified for cyst reduction may be used with disinfected water that may contain filterable cysts.

WARRANTY

Everpure water treatment systems by Pentair® (excluding replaceable elements) are covered by a limited warranty against defects in material and workmanship for a period of five years after date of purchase. Everpure replaceable elements (filter cartridges and water treatment cartridges) are covered by a limited warranty against defects in material and workmanship for a period of one year after date of purchase. See printed warranty for details. Pentair will provide a copy of the warranty upon request.



FILTRATION & PROCESSING SOLUTIONS

EVERPURE-SHURFLO WORLD HEADQUARTERS, 1040 MUIRFIELD DRIVE, HANOVER PARK, IL 60133 USA • WWW.EVERPURE.COM
800.942.1153 MAIN (US ONLY) • 630.307.3000 MAIN • 630.307.3030 FAX • CSEVERPURE@PENTAIR.COM EMAIL

EVERPURE-SHURFLO AUSTRALIA / NEW ZEALAND, 1-21 MONASH DRIVE, DANDENONG SOUTH, VIC, 3175, AUSTRALIA
1300.576.190 TEL • AU.EVERPURE@PENTAIR.COM EMAIL

EVERPURE-SHURFLO CHINA, 21F CLOUD 9 PLAZA, NO 1118, SHANGHAI, 200052, CHINA
86.21.3211.4588 TEL • 86.21.3211.4580 FAX • CHINA.WATER@PENTAIR.COM EMAIL

EVERPURE-SHURFLO INDIA, GREEN BOULEVARD, B-9/A, 7TH FLOOR - TOWER B SECTOR 62, NOIDA - 201301
91.120.419.9444 TEL • 91.120.419.9400 FAX • INDIACUSTOMER@PENTAIR.COM EMAIL

EVERPURE-SHURFLO EUROPE, PENTAIR WATER BELGIUM BVBA, INDUSTRIEPARK WOLFSTEE, TOEKOMSTLAAN, 30 B-2200 HERENTALS, BELGIUM
+32.(0).14.283.500 TEL • +32.(0).14.283.505 FAX • SALES@EVERPURE-EUROPE.COM EMAIL

EVERPURE-SHURFLO JAPAN INC., HASHIMOTO MN BLDG. 7F, 3-25-1 HASHIMOTO, MIDORI-KU, SAGAMIHARA-SHI KANAGAWA 252-0143, JAPAN
81.(0)42.775.3011 TEL • 81.(0)42.775.3015 FAX • INFO@EVERPURE.CO.JP EMAIL

EVERPURE-SHURFLO SOUTHEAST ASIA, 390 HAVELOCK ROAD, #04-01, KING'S CENTRE, SINGAPORE 169662
65.6795.2213 TEL • FAX: 65.6795.2219 FAX • CSEVERPURE@PENTAIR.COM EMAIL

All Pentair trademarks and logos are owned by Pentair, Inc. ScaleStick® is used pursuant to an agreement between PWC Enterprises and Pentair Filtration Solutions, LLC. All other brand or product names are trademarks or registered marks of their respective owners.

Because we are continuously improving our products and services, Pentair reserves the right to change specifications without prior notice.

Pentair is an equal opportunity employer.